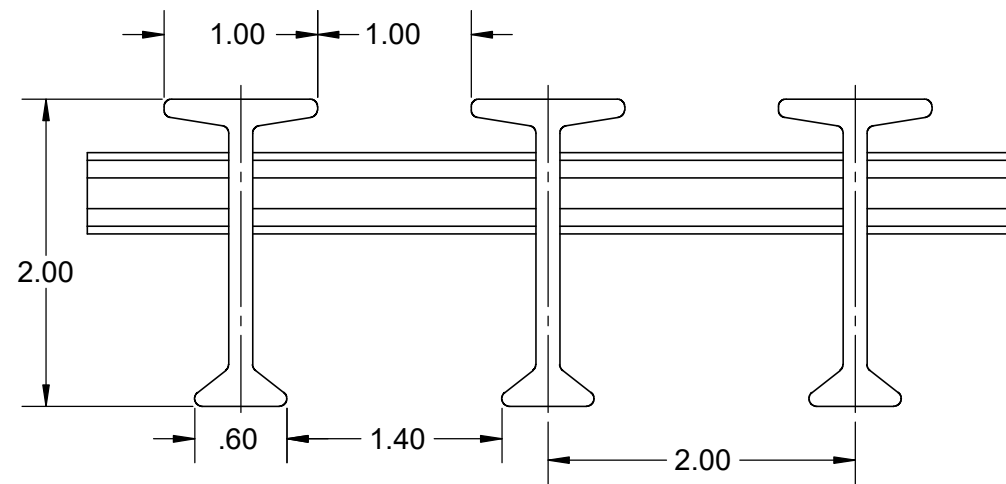


SPAN(in)		LOAD (uniform- lbs/ft <sup>2</sup> / concentrated- lbs/ft)																
		50	100	150	200	250	300	400	500	750	1000	2000	3000	4000	5000	6000	7000	8000
12	Δu	0.000	0.000	0.001	0.001	0.001	0.001	0.001	0.002	0.003	0.004	0.007	0.011	0.014	0.018	0.021	0.025	0.028
	Δc	0.000	0.001	0.001	0.001	0.001	0.002	0.002	0.003	0.004	0.006	0.011	0.017	0.023	0.028	0.034	0.040	0.045
18	Δu	0.001	0.002	0.003	0.003	0.004	0.005	0.007	0.009	0.013	0.017	<b>0.035</b>	0.052	0.070	0.087	0.104	0.122	0.139
	Δc	0.001	0.002	0.003	0.004	0.005	0.006	0.007	0.009	0.014	0.019	0.037	0.056	0.074	0.093	0.111	0.130	0.148
24	Δu	0.003	0.005	0.008	0.011	0.013	0.016	0.021	0.027	0.040	<b>0.054</b>	0.107	0.161	0.214	0.268	0.321	0.375	0.429
	Δc	0.002	0.004	0.006	0.009	0.011	0.013	0.017	0.021	0.032	0.043	0.086	0.129	0.171	0.214	0.257	0.300	0.343
30	Δu	0.006	0.013	0.019	0.026	0.032	0.038	0.051	<b>0.064</b>	0.096	0.128	0.256	0.384	0.512	0.640			
	Δc	0.004	0.008	0.012	0.016	0.020	0.025	0.033	0.041	0.061	0.082	0.164	0.246	0.327	0.409	0.491	0.573	0.655
36	Δu	0.013	0.026	0.039	0.052	0.065	<b>0.078</b>	0.104	0.130	0.195	0.260	0.520						
	Δc	0.007	0.014	0.021	0.028	0.035	0.042	0.055	0.069	0.104	0.139	0.277	0.416	0.555	0.694			
42	Δu	0.024	0.047	0.071	<b>0.095</b>	0.119	0.142	0.190	0.237	0.356	0.474							
	Δc	0.011	0.022	0.033	0.043	0.054	0.065	0.087	0.108	0.163	0.217	0.433	0.650					
48	Δu	0.040	0.079	0.119	0.158	0.198	0.238	0.317	0.396	0.594								
	Δc	0.016	0.032	0.048	0.063	0.079	0.095	0.127	0.158	0.238	0.317	0.634						
54	Δu	0.062	<b>0.125</b>	0.187	0.250	0.312	0.374	0.499	0.624									
	Δc	0.022	0.044	0.067	0.089	0.111	0.133	0.178	0.222	0.333	0.444							
60	Δu	<b>0.094</b>	0.188	0.282	0.375	0.469	0.563	0.751										
	Δc	0.030	0.060	0.090	0.120	0.150	0.180	0.240	0.300	0.450	0.601							
66	Δu	<b>0.136</b>	0.272	0.408	0.544	0.679												
	Δc	0.040	0.079	0.119	0.158	0.198	0.237	0.316	0.395	0.593								
72	Δu	<b>0.190</b>	0.380	0.570														
	Δc	0.051	0.101	0.152	0.203	0.253	0.304	0.405	0.507									
78	Δu	0.260	0.520															
	Δc	0.064	0.128	0.192	0.256	0.320	0.384	0.512	0.640									
84	Δu	0.347	0.693															
	Δc	0.079	0.158	0.238	0.317	0.396	0.475	0.634										


- Panels can be made to exact sizes to eliminate waste and fabrication costs in the field. The maximum panel weight is 500 lbs. and the maximum panel size is 60" x 240".
- The two standard colors are gray and yellow.
- The standard polyester resin used in stock grating is fire retardant and meets the requirements for a Class 1 flame rating of 25 or less per ASTM E-84 and meets the self-extinguishing requirements of ASTM D-635. The resin also contains a UV inhibitor.
- Grids can be ordered with or without an anti-skid grit surface. A variety of grit material and textures can be ordered.

A = 3.252in<sup>2</sup>/ft of width      Open Area = 50%      \*Bold border lines indicates loading ≤ L/360  
 S = 1.906in<sup>3</sup>/ft of width      Approx. Wgt. = 3.1 lbs/ft<sup>2</sup>  
 I = 1.495in<sup>4</sup>/ft of width



**T-5000 Grating - 2" Pultruded Bar**

**PROPRIETARY AND CONFIDENTIAL**  
 THE INFORMATION CONTAINED IN THIS DRAWING IS THE SOLE PROPERTY OF ARETE STRUCTURES. ANY REPRODUCTION IN PART OR AS A WHOLE WITHOUT THE WRITTEN PERMISSION OF ARETE STRUCTURES IS PROHIBITED.

UNLESS OTHERWISE SPECIFIED:		NAME	DATE	 ARETE STRUCTURES, LLC 123 SLOPES COURT BOONE, NC 28607 www.aretestructures.com
DIMENSIONS ARE IN INCHES		DRAWN	AGF	
TOLERANCES:		CHECKED		
FRACTIONAL ±		ENG APPR.		
ANGULAR: MACH ± BEND ±		MFG APPR.		
TWO PLACE DECIMAL ±		Q.A.		
THREE PLACE DECIMAL ±		COMMENTS:		
INTERPRET GEOMETRIC TOLERANCING PER:		TITLE: <b>T-5000 2in- Stock Grating</b>		
MATERIAL		SIZE <b>B</b> DWG. NO. REV		
FINISH		SCALE: NTS WEIGHT: SHEET 1 OF 1		
NEXT ASSY	USED ON	APPLICATION DO NOT SCALE DRAWING		